

4

3

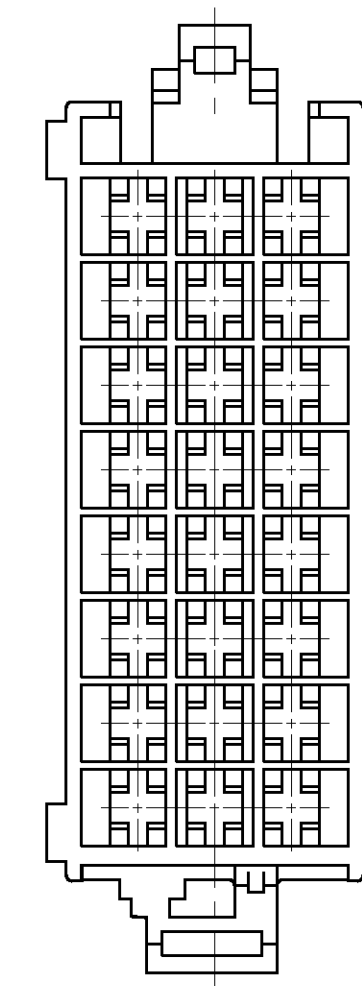
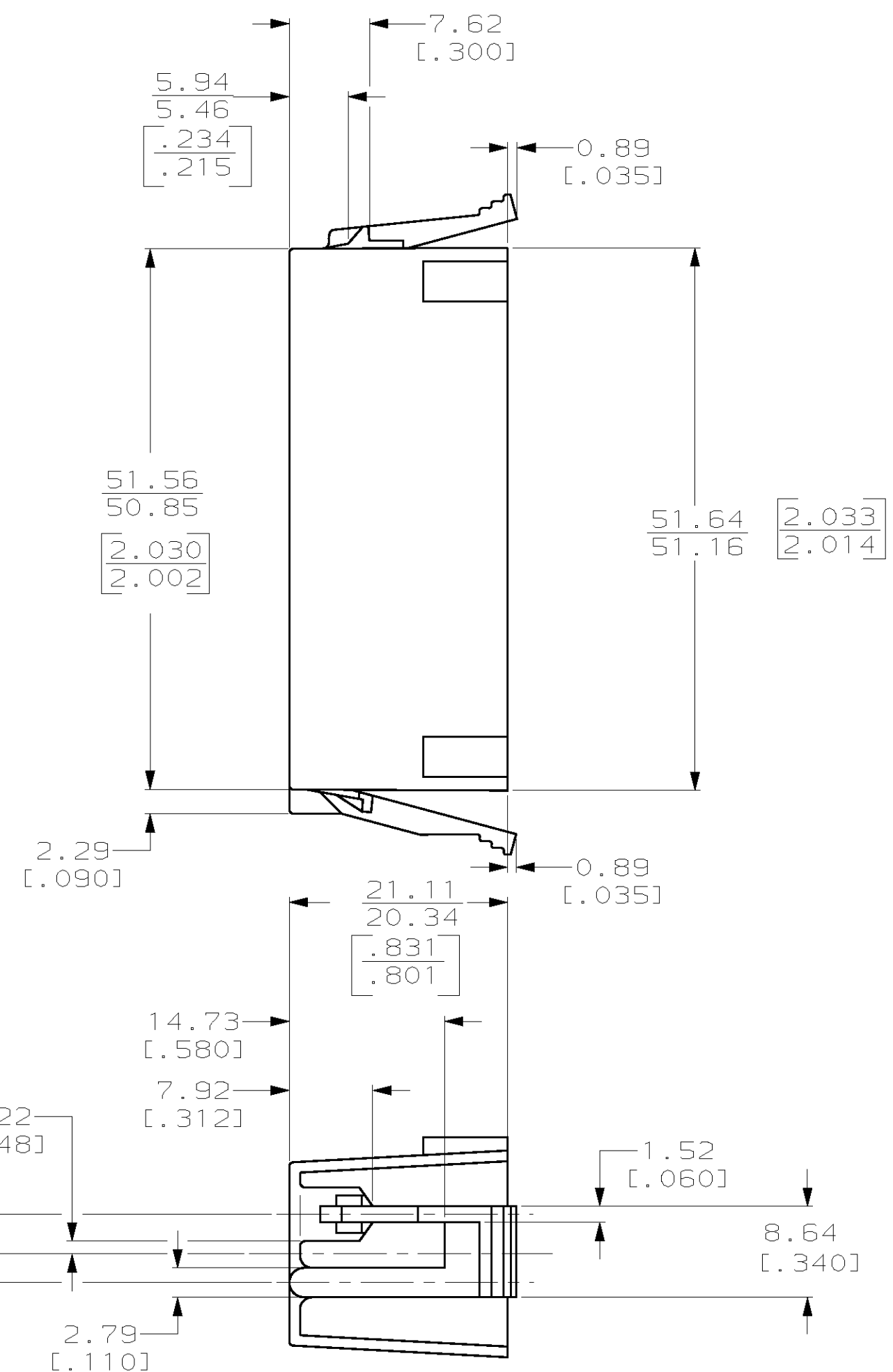
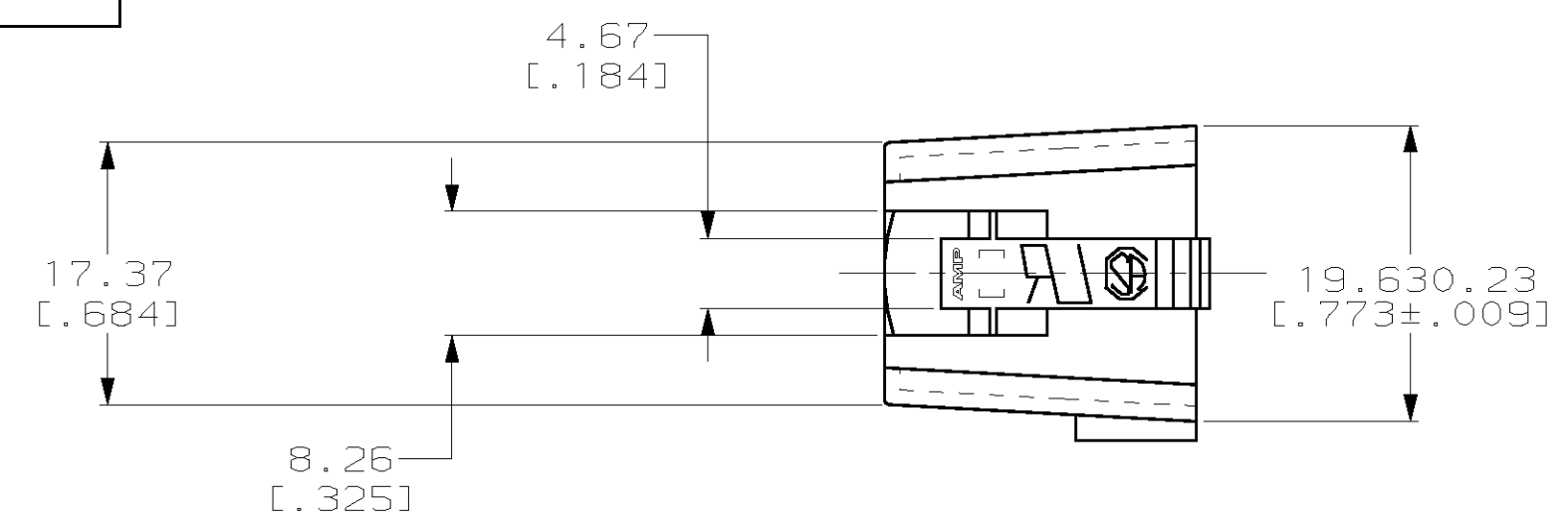
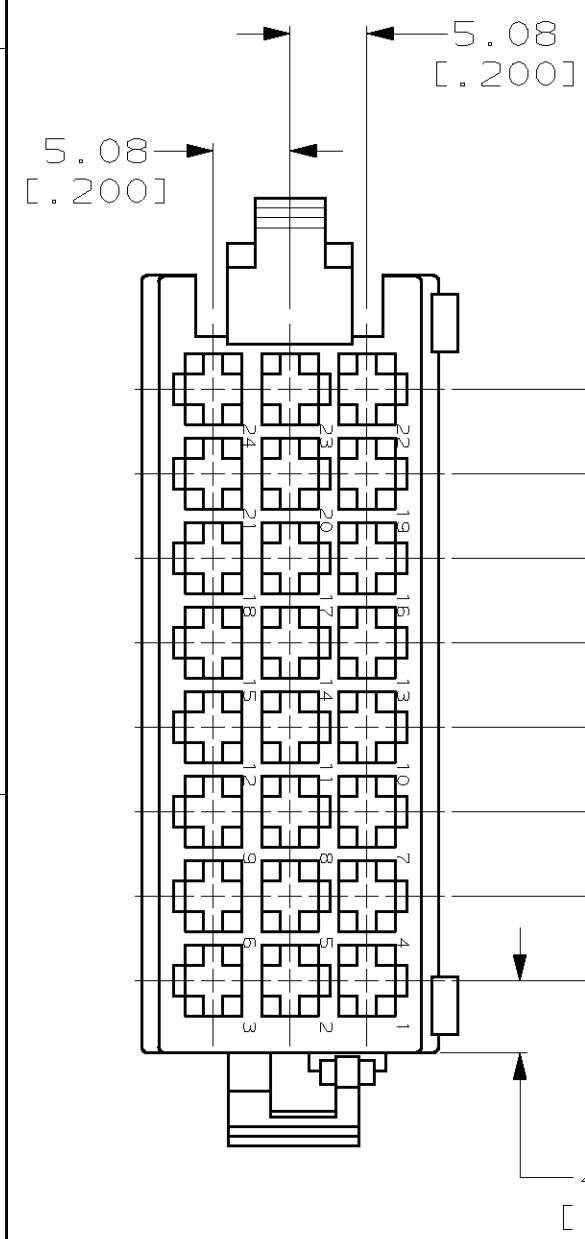
2

1

THIS DRAWING IS UNPUBLISHED. RELEASED FOR PUBLICATION .19
 (C) COPYRIGHT 19 BY AMP INCORPORATED. ALL RIGHTS RESERVED.

LOC	DIST	REVISIONS			
P	LTR	DESCRIPTION	DATE	DWN	APVD
AF	50	5	REVISED PER 0L10-0233-97	02/JUN/97	PF JF

1 PART TO ACCEPT TERMINALS 61603-1 & 61604-1.



1-480553-1
PART NUMBER

THIS DRAWING IS A CONTROLLED DOCUMENT.		DWN PHILLIP M FORTNEY 27/JAN/97	AMP Incorporated Harrisburg, PA 17105-3608
DIMENSIONS: mm [inches]		CHK JEFF R RUTH 27/JAN/97	
		APVD JEFF FYLSTRA 27/JAN/97	
TOLERANCES UNLESS OTHERWISE SPECIFIED: 0 PLC ±- 1 PLC ±- 2 PLC ±0.25 [.010] 3 PLC ±- 4 PLC ±- ANGLES ±-		NAME	
MATERIAL 6/6 NYLON	FINISH BLACK	PRODUCT SPEC -	HOUSING, RIGHT HAND, 24 CIRCUIT, TIMER CONNECTOR
CUSTOMER DRAWING		APPLICATION SPEC -	SIZE A2
		WEIGHT -	CAGE CODE 00779
		SCALE 2:1	DRAWING NO C-480553
		SHEET 1 OF 1	REV 5

480553